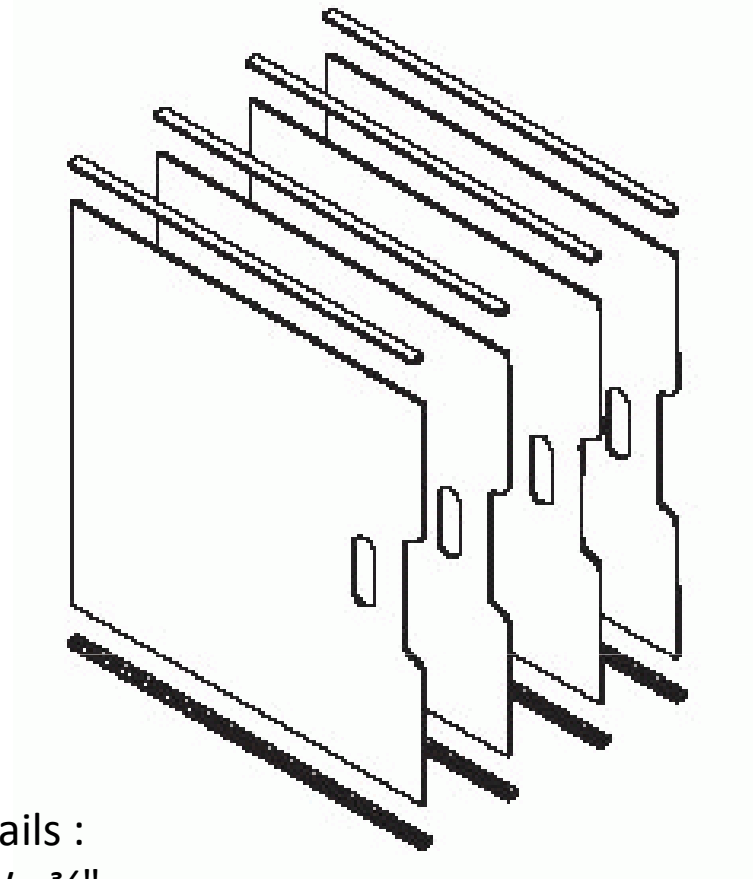




Thickness of the dividers : $\frac{3}{16}$ "
W : $23 \frac{3}{4}$ "
H : $23 \frac{3}{4}$ "



Rails :
W : $\frac{3}{4}$ "
L : 24"